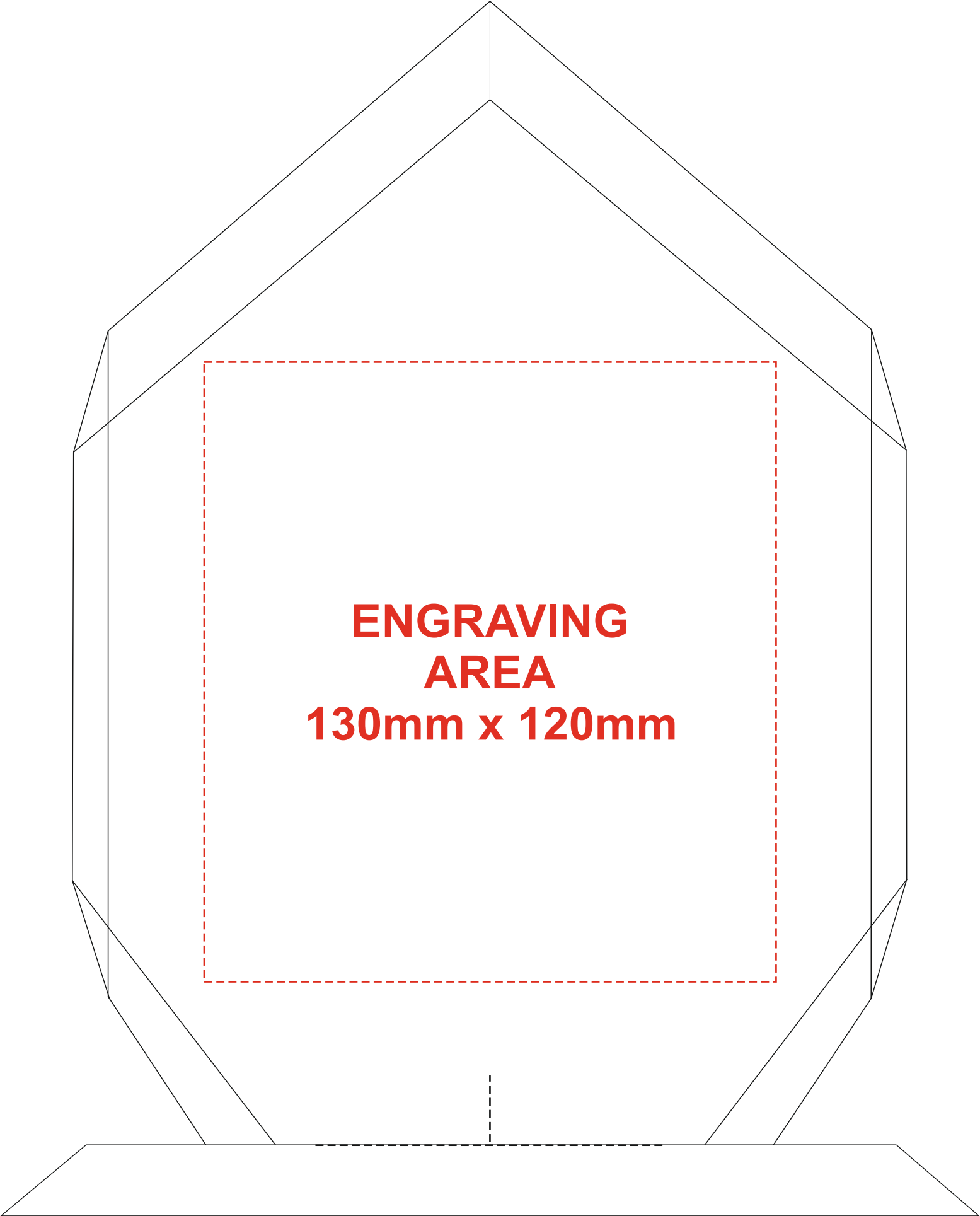


FC147



**ENGRAVING
AREA
130mm x 120mm**